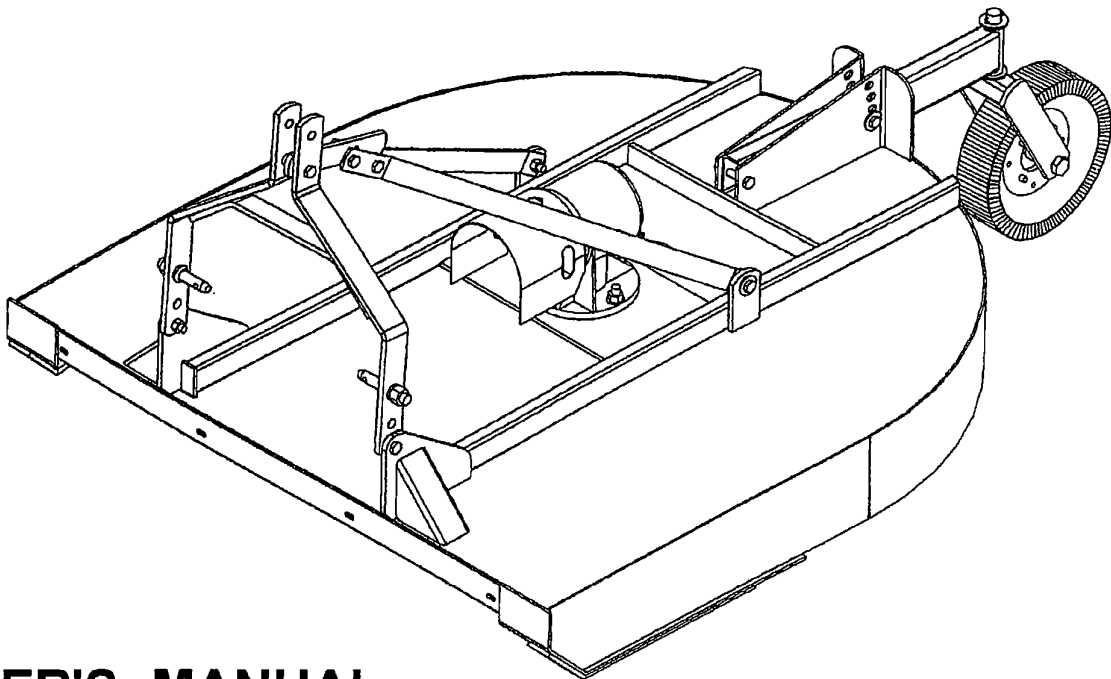




TAYLOR PITTSBURGH MFG., INC.
P.O. BOX 1866
ATHENS, TN 37371
423-745-3110

SERIES 244, 245, 246 ROTARY CUTTER



OWNER'S MANUAL

FORM 5-244/245/246-07
JANUARY 2008

TO THE DEALER:

The cutter assembly and proper installation to the tractor is the responsibility of the TAYLOR PITTSBURGH dealer. Read manual instructions and safety rules. Make sure all items on the Pre-delivery and Delivery Check Lists are completed before releasing equipment to the owner.

TO THE OWNER:

Read this manual before operating your TAYLOR PITTSBURGH cutter. The information presented will prepare you to do a better and safer job. Keep this manual handy for ready reference. Require all operators to read this manual carefully and become acquainted with all the adjustment and operating procedures before attempting to operate. Replacement manuals can be obtained from your dealer or by calling 1-423-745-3110, in the USA and Canada only.

The cutter you have purchased has been carefully engineered and manufactured to provide dependable and satisfactory use. Like all mechanical products, it will require cleaning and upkeep. Lubricate the unit as specified. Observe all safety information in this manual and safety decals on the cutter and tractor.

For service, your authorized TAYLOR PITTSBURGH dealer has trained mechanics, genuine TAYLOR PITTSBURGH service parts, and the necessary tools and equipment to handle all your needs.

Provide your model number and serial number to your dealer to obtain correct repair parts.

LIMITED WARRANTY

TAYLOR PITTSBURGH MFG., INC., the manufacturer, warrants only to the Original Purchaser that this equipment, under normal use and service, will be free from defects in material and workmanship for one (1) year from date of purchase providing this equipment is purchased for individual and not for commercial use. Warranty for commercial usage is 90 days. This warranty does not apply to any equipment which has been damaged or which has been subjected to abuse, misuse, negligence, abnormal wear and tear, alterations, tampering, or failure to follow operating instructions. This warranty does not cover any product or parts not manufactured by Taylor Pittsburgh Mfg., Inc.

Under this warranty, the manufacturer will repair or replace any part which the manufacturer determines has failed during the period of the warranty due to defects in material or workmanship. After approval by the manufacturer, the equipment or defective part must be returned to Taylor Pittsburgh Mfg., Inc., Athens, Tennessee 37371.

PURCHASER'S EXCLUSIVE REMEDY FOR BREACH OF WARRANTY, OTHER DEFECT, OR CONDUCT GIVING RISE TO LIABILITY SHALL BE THE REPAIR OR REPLACEMENT OF THE PRODUCT SOLD, AND THE MANUFACTURER UNDER NO CIRCUMSTANCES SHALL BE LIABLE FOR ECONOMIC LOSS OR INCIDENTAL OR CONSEQUENTIAL DAMAGES. THE MANUFACTURER DISCLAIMS ALL IMPLIED WARRANTIES, INCLUDING THE WARRANTY OF MERCHANTABILITY AND FITNESS FOR PURPOSE.

Taylor Pittsburgh Mfg., Inc. reserves the right to make improvements and changes in specifications without notice or obligation to modify previously sold units.

This manual describes the proper assembly procedures for your cutter and furnishes operating and maintenance recommendations to help you obtain long and satisfactory service.



TAYLOR PITTSBURGH MFG.

FIVE YEAR LIMITED GEARBOX WARRANTY

Taylor Pittsburgh warrants to the original purchaser of any new Taylor Pittsburgh product equipped with a Gearbox, a Gearbox only limited Five (5) year warranty, for non-commercial, non-state, non-municipalities, and non-rental use and for 90 days for commercial non-rental use or a 30-day warranty is offered for rental use.

Under no circumstances will this Warranty apply in the event that the product, in good faith opinion of Taylor Pittsburgh, has been subjected to improper operation, improper maintenance, misuse, fire or an accident. This Warranty does not apply in the event that the product has been materially modified or repaired by someone not authorized prior to repair by Taylor Pittsburgh. This Warranty does not cover normal wear or tear, or normal maintenance items. This Warranty also does not cover repairs made with parts other than those obtainable through Taylor Pittsburgh.

This Warranty is extended solely to the original purchaser of the product. Should the original purchaser sell or otherwise transfer this product to a third party, this Warranty does not transfer to the third party purchaser in any way. There are no third party beneficiaries of this Warranty.

Taylor Pittsburgh's obligation under this Warranty is limited to, at Taylor Pittsburgh's option, the repair or replacement of the product if Taylor Pittsburgh in its sole discretion, deems it to be defective or in noncompliance with this Warranty. **The product must be returned to Taylor Pittsburgh with proof of purchase within thirty (30) days after such defect or noncompliance is discovered or should have been discovered, routed through the dealer and distributor from whom the purchase was made, transportation charges prepaid.** THERE ARE NO OTHER REMEDIES UNDER THIS WARRANTY. THE REMEDY OF REPAIR OR REPLACEMENT IS THE SOLE AND EXCLUSIVE REMEDY UNDER THIS WARRANTY.

THERE ARE NO WARRANTIES, WHICH EXTEND BEYOND THE DESCRIPTION ON THE FACE OF THIS WARRANTY. TAYLOR PITTSBURGH MAKES NO OTHER WARRANTY, EXPRESS OR IMPLIED, AND TAYLOR PITTSBURGH SPECIFICALLY DISCLAIMS ANY IMPLIED WARRANTY OF MERCHANTABILITY AND/OR ANY IMPLIED WARRANTY OF FITNESS FOR A PARTICULAR PURPOSE.

Taylor Pittsburgh shall not be liable for any incidental or consequential losses, damages or expenses, arising directly or indirectly from the product, whether such claim is based upon breach of contract, breach of warranty, negligence, strict liability in tort or any other legal theory.

Without limiting the generality of the foregoing, Taylor Pittsburgh specifically disclaims any damages relating to lost profits, business revenues or goodwill, loss of crops, loss of delay in harvesting; any expense or loss incurred for labor, supplies, substitute machinery or rental; or any other type of damage to property or economic loss.

Any and ALL repairs must be pre-approved by Taylor Pittsburgh prior to any repairs being made and subject to all conditions, restrictions, and purchaser obligations as stated within this warranty.

P.O. Box 1866 • 7 Rocky Mount Road • Athens, TN 37371 • (423) 745-3110 • Fax (423) 744-9662



Five (5) Year Limited Gearbox Warranty is a variable warranty based on purchase date, within one year from original purchase date, to the original owner. Warranty would include parts and labor based on all restrictions and limits as stated above. Taylor Pittsburgh reserves the right to limit labor in hours and hourly charges. All repairs must be pre-approved prior to work being done. Years 2 through 5 are parts only warranty. **NO LABOR WILL BE PAID.** Taylor Pittsburgh reserves the right to ask and inspect all parts prior to a warranty decision being made. Incidental expenses such as lubricants and transportation to and from the dealer are not covered by warranty.

It is the original purchaser's burden and obligation to maintain proof of purchase, a copy of which must accompany any and all warranty claims.

No agent, representative, dealer, distributor, serviceperson, salesperson, or employee of any company, including without limitation, Taylor Pittsburgh, its authorized dealers, distributors, and service centers, is authorized to alter, modify or enlarge this Warranty.

This Warranty is effective on any Taylor Pittsburgh product purchased January 1, 2008 and after and is subject to change without notice.

Answers to any questions regarding warranty service may be obtained by contacting:

Taylor Pittsburgh
7 Rocky Mount
Athens, TN 37308

800-456-7929(tel)
423-744-9662(fax)

Taylor Pittsburgh Manufacturing, Inc., Athens, TN, is a manufacturer of quality agricultural and rural lifestyle equipment, and is a division of King Kutter Inc. Taylor Pittsburgh Manufacturing, Inc. offers a full line of three-point mounted and pull type implements including rotary cutters, rotary tillers, estate groomers, landscape equipment, and specialty equipment. For more information please contact Taylor Pittsburgh Manufacturing, Inc. at (423) 745-3110.

P.O. Box 1866 • 7 Rocky Mount Road • Athens, TN 37371 • (423) 745-3110 • Fax (423) 744-9662

SAFETY RULES



ATTENTION! BECOME ALERT! YOUR SAFETY IS INVOLVED!



SAFETY ALERT SYMBOL


FIG. 1: This is the safety alert symbol. It means **ATTENTION: BECOME ALERT! YOUR SAFETY IS INVOLVED!** Look for it, both in this manual and on safety decals on the equipment. It will direct your attention to information that involves your safety and the safety of others.




Figure 1

SIGNAL WORDS

FIG. 2: The words **DANGER**, **WARNING** or **CAUTION** are used with the safety alert symbol. Learn to recognize these safety alerts, and follow the recommended precautions and safe practices.

 **DANGER:** The safety alert symbol, with the word **DANGER**, indicates an imminently hazardous situation that, if not avoided, will cause **DEATH OR VERY SERIOUS INJURY**.

 **WARNING:** The safety alert symbol, with the word **WARNING**, indicates a potentially hazardous situation that, if not avoided, could cause **DEATH OR SERIOUS INJURY**.


 **CAUTION:** The safety alert symbol, with the word **CAUTION**, indicates a potentially hazardous situation that, if not avoided, may cause a **MINOR INJURY**.



Figure 2

Replace any **DANGER**, **WARNING**, **CAUTION** or instructional decal that is not readable or is missing. The location and part number of these decals is identified later in the section of the manual.

IMPORTANT: The word **IMPORTANT** is used to identify special instructions or procedures which, if not strictly observed could result in damage to, or destruction of the machine, process or its surroundings.

GENERAL INFORMATION

INTRODUCTION

READ THIS MANUAL carefully to learn how to properly operate and service your cutter. Failure to do so could result in personal injury or equipment damage.

Throughout this manual, references are made to right and left direction. **RIGHT - HAND AND LEFT - HAND** sides are determined by standing behind the cutter facing the direction the cutter will travel when going forward.

The purpose of this manual is to assist you in operating and maintaining your cutter. Read it carefully. It furnishes information and instructions that will help you achieve years of dependable performance. These instructions have been compiled from extensive field experience and engineering data. Some information may be general in nature due to unknown and varying operating conditions.

However, through experience and these instructions, you should be able to develop procedures suitable to your particular situation.

Maintain your cutter with original repair parts to insure optimum performance.

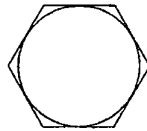
⚠ WARNING

- Some illustrations in this manual show the cutter with shields removed to provide a better view. The cutter should never be operated without guards or shields.

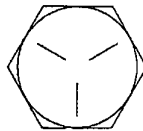
The illustrations and data used in this manual were current at the time of printing, but due to possible production changes, your cutter may vary slightly in detail. We reserve the right to redesign and change the cutters as may be necessary without notification.

BOLT TORQUE CHART

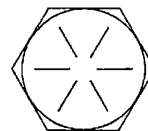
GRADE 2



GRADE 5



GRADE 8



TORQUE IN FOOT POUNDS (NEWTON METERS)

BOLT SIZE	3/8	1/2	5/8	3/4	7/8	1	
HEX HEAD	9/16	3/4	15/16	1-1/8	1-5/16	1-1/2	
GRADE	2	18 (24.4)	45 (61.0)	89 (120.7)	160 (216.9)	252 (341.6)	320 (433.9)
	5	30 (40.6)	68 (92.2)	140 (189.8)	240 (325.4)	360 (488.1)	544 (737.5)
	8	40 (54.2)	100 (135.6)	196 (265.7)	340 (460.9)	528 (715.1)	792 (1073.8)

TABLE OF CONTENTS

FORWARD	1
SAFETY SYMBOLS & SIGNAL WORDS	2
GENERAL INFORMATION.....	3
BOLT TORQUE CHART.....	3
SPECIFICATIONS	4
SAFETY PRECAUTIONS.....	5 - 6
SAFETY DECAL LOCATIONS	7
ASSEMBLY.....	8
BEFORE OPERATION	9
ATTACHING	9
TRACTOR STABILITY.....	10
OPERATION.....	10
TRANSPORTING	10
MAINTENANCE.....	10 - 11
LUBRICATION.....	11
STORAGE	12

SPECIFICATIONS			
MODEL	244	245	246
CUTTING WIDTH - in. (mm)	48 (1220)	60 (1524)	72 (1829)
GEAR BOX	50 HP	50 HP	50 HP
P.T.O. RPM	540	540	540
BLADE TIP SPEED (FPM)	13,120	12,440	14,928
BLADES - in (mm)	1/2" x 3" (12.7 x 76.2)	1/2" x 3" (12.7 x 76.2)	1/2" x 3" (12.7 x 76.2)
STUMP JUMPER	ROUND STD.	ROUND STD.	ROUND STD.
CUT HEIGHT RANGE - in. (mm)	2" TO 10" (50.8 to 254)	2" TO 10" (50.8 to 254)	2" TO 10" (50.8 to 254)
CUTTING CAPACITY	BRUSH UP TO 1" (25.4)	BRUSH UP TO 1" (25.4)	BRUSH UP TO 1" (25.4)
SLIP CLUTCH	OPTIONAL	OPTIONAL	OPTIONAL
DECK THICKNESS	11 GA (3.03)	11 GA (3.03)	11 GA (3.03)
SIDE SKIRT THICKNESS	10 GA (3.41)	10 GA (3.41)	10 GA (3.41)
SIDE SKIRT DEPTH - in. (mm)	7 (177.8)	7 (177.8)	7 (177.8)
TIRE - LAMINATED - in. (mm)	16 (406.4)	16 (406.4)	16 (406.4)
HITCH	CAT 1	CAT 1	CAT 1
DRIVE LINE	ASAE CAT 3	ASAE CAT 3	ASAE CAT 3
WEIGHT - lbs. (kg)	507 (230)	611 (277)	688 (312)
P.T.O. HP REQUIREMENTS	15-30	15-30	15-30

SAFETY RULES



ATTENTION! BECOME ALERT! YOUR SAFETY IS INVOLVED!



Your personal safety is a primary concern in the design and manufacture of our products. Unfortunately, our efforts to provide such equipment can be wiped out by a single careless act of an operator.

In addition to the design and configuration of equipment, hazard control and accident prevention are dependent upon the awareness, concern, prudence and proper training of personnel involved in the operation, transport, maintenance and storage of equipment.

It has been said **“The best safety device is an informed, careful operator.”** We ask you to be that kind of an operator.

The design of this equipment depends on it being operated within the limitations as explained in this manual.

TRAINING

- Safety instructions are important! Read this manual and the tractor manual; follow all safety rules and safety decal information. (Replacement manuals are available from your dealer) Failure to follow instructions or safety rules can result in serious injury or death.
- If you do not understand any part of this manual and need assistance, see your dealer.
- Know your controls and how to stop engine and cutter quickly in an emergency.
- The operator must be instructed in and be capable of the proper operation of the equipment, its attachments and all controls. Do not allow anyone to operate this equipment without proper instructions.
- Do not allow children or untrained persons to operate equipment.

PREPARATION

- Always wear close fitting clothing and personal protection equipment called for by the job conditions. These items may include a hard hat, safety glasses, goggles or face shield, hearing protection and safety boots. DO NOT wear loose clothing, jewelry or any other items that may be entangled in moving parts. Tie up long hair.

- Ensure cutter is properly mounted, adjusted and in good operating condition.
 - Tighten all nuts and bolts, and check that all cotter pins are installed securely to ensure equipment is properly assembled before operating.
 - Tractor must be equipped with ROPS FRAME or ROPS CAB and seat belt. Keep seat belt securely fastened. Falling off tractor can result in death from being run over or crushed. Keep foldable ROPS systems in “locked up” position at all times.
 - Remove accumulated debris from this cutter, tractor and engine to avoid fire hazard.
 - Ensure all safety decals are installed. Replace if damaged. (See Safety Decals section for location.)
 - Inspect chain/deflector shielding before each use. Replace if damaged.
 - Ensure shields and guards are properly installed and in good condition. Replace if damaged.
 - A minimum 20% of the combined tractor and cutter weight must be on tractor front wheels with cutter in transport position. Without this weight, tractor could tip over causing personal injury or death. See your tractor operators manual for information regarding adding weights.
 - Inspect and clear area of stones, branches or other hard objects that might be thrown, causing injury or damage.
 - Make sure spring-activated locking pin or collar slides freely on the driveline and is seated firmly in tractor PTO spline groove.
- ### OPERATIONAL SAFETY
- Keep bystanders away from cutter while it is in operation.
 - Never direct discharge toward anyone.
 - Operate only in daylight or good artificial light.
 - Always comply with all state and local lighting and marking requirements.

(Safety Rules continued on next page)

SAFETY RULES



ATTENTION! BECOME ALERT! YOUR SAFETY IS INVOLVED!



(Safety Rules continued from previous page)

- Do not allow other people in the area when operating, attaching, removing, assembling, or servicing cutter.
- Make certain all movement of cutter components has stopped before opening blade access cover.
- No riders are allowed on equipment.
- Always sit in tractor seat with seat belt fastened when operating controls or starting engine. Place transmission in park or neutral, engage brake and ensure all other controls are disengaged before starting tractor engine.
- Look down and to the rear and make sure area is clear before operating in reverse.
- Do not operate on steep slopes.
- Do not stop, start, or change directions suddenly on slopes.
- Use extreme care and reduce ground speed on slopes and rough terrain.
- Watch for hidden hazards on the terrain during operation.
- Stop tractor and implement immediately upon striking an obstruction. Turn off engine, remove key, inspect and repair any damage before resuming operation.
- When performing any service or maintenance, disengage power to cutter. Lower all raised components to the ground. Operate valve levers to release any hydraulic pressure. Stop engine, set parking brake and remove key before dismounting tractor.
- Keep all persons away from operator control area while performing adjustments, service or maintenance.
- Operate tractor PTO at 540 rpm. Do not exceed.
- Do not operate tractor PTO during transport.

MAINTENANCE SAFETY

- Before performing any service or maintenance, disconnect driveline from tractor to keep these parts from turning.
- Before working underneath, raise cutter to highest position, install transport locks, and block securely. Blocking up prevents cutter dropping

from hydraulic leak down or mechanical failure on the tractor.

- Keep all persons away from operator control area while performing adjustments, service or maintenance.
- Frequently check blades. They should be sharp, free of nicks and cracks and securely fastened.
- Do not handle blades with bare hands. Careless or improper handling may result in serious injury.
- Your dealer can supply genuine replacement cutter blades. Substitute blades may not meet original equipment specifications.

TRANSPORTING SAFETY

- Use a Slow - Moving - Vehicle (SMV) emblem and proper lighting on the tractor when transporting the cutter.
- Always comply with all state and local lighting and marking requirements.
- Do not operate tractor PTO during transport.
- Check condition of hitch pins and bolts before transporting.
- Raise cutter to highest position for transport.
- Watch low hanging Overhead Power Lines during transport. Avoid contact as this can cause serious injury or death.
- Do not drive the tractor and cutter over 20 MPH (30 KPH) on the best surface conditions. Reduce speed when going up or down hills and when approaching ditches or corners.

STORAGE

- Lower cutter to the ground and block to prevent rolling.
- Keep playing children and bystanders away from storage area.
- Store on a level surface sheltered from the weather.

SAFETY DECALS



ATTENTION! BECOME ALERT! YOUR SAFETY IS INVOLVED!



Replace Immediately If Damaged!

The following safety decals are located on your cutter. Read them and follow their instructions. Keep all decals in place and legible. Replace worn or missing decals. Replacement safety decals are available through your dealer. Order by number listed. **Complete Decal Set #815997**

DANGER

ROTATING BLADES AND THROWN OBJECTS

- KEEP AWAY.
- DO NOT OPERATE IN VICINITY OF OTHER PERSONS.
- CLEAR MOWING AREA OF DEBRIS.
- FULL CHAIN OR RUBBER SHIELDING MUST BE USED TO COMPLY WITH OSHA AGRICULTURAL STANDARD 1928.57, SAE J232 AND ANSI B71.4 UNLESS IT INTERFERES SUBSTANTIALLY WITH MOWER FUNCTION DURING AGRICULTURAL USE. IF NOT FULLY SHIELDED, STOP OPERATION WHEN ANYONE COMES WITHIN SEVERAL HUNDRED FEET.

BLADES CONTACT OR THROWN OBJECTS CAN CAUSE SERIOUS INJURY OR DEATH.

On right front outer corner of deck

WARNING

TO AVOID SERIOUS INJURY OR DEATH

- READ OPERATORS MANUAL (AVAILABLE FROM DEALER) AND FOLLOW ALL SAFETY PRECAUTIONS
- KEEP ALL SHIELDS IN PLACE AND IN GOOD CONDITION
- OPERATE MOWER FROM TRACTOR SEAT ONLY
- LOWER MOWER STOP ENGINE REMOVE KEY BEFORE DISMOUNTING TRACTOR

ALLOW NO CHILDREN OR UNTRAINED PERSONS TO OPERATE EQUIPMENT

FAILURE TO OPERATE SAFELY CAN RESULT IN INJURY OR DEATH

On left front of deck

WARNING

PTO SPEEDS HIGHER THAN 540 RPM CAN CAUSE EQUIPMENT FAILURE AND PERSONAL INJURY

**OPERATE PTO AT
540 RPM**

On front of deck near left deck rail

DANGER

ROTATING DRIVELINE

- KEEP AWAY
- KEEP ALL DRIVE SHIELDS AND GUARDS IN PLACE AND IN GOOD CONDITION.

ENTANGLEMENT CAN CAUSE SERIOUS INJURY OR DEATH.

On front center of deck

CAUTION

USE ONLY GRADE 2 SHEARBOLT OR SERIOUS DAMAGE MAY RESULT.

USE OF A SHEARBOLT OTHER THAN GRADE 2 VOIDS THE MANUFACTURER WARRANTY.

Next to gearbox - shearbolt models only

INTRODUCTION

This manual covers the assembly, operation, and maintenance of your Series 244 / 245 / 246 Cutter. Studying and following these instructions will insure optimum product performance and longevity. Be sure to read all instructions carefully. Read all safety precautions prior to operation.

Maintain your rotary cutter with original repair parts to insure optimum performance.

MODIFICATIONS

It is the policy of the manufacturer to improve its products whenever possible and practical. We reserve the right to make changes, improvements, and modifications at any time without incurring the obligation to make such changes, improvements, and modifications on any implement sold previously.

ASSEMBLY

General

Your Series 244/245/246 Cutter is shipped with the three point hitch components knocked down and the deflector shields in a separate bundle. Remove all wiring from bundles as they are called for. Choose a level area to arrange the parts conveniently. Assemble parts for each step loosely to insure fit. Use flatwashers with slotted holes. Always use lockwashers unless a lock nut is called for. Tighten hardware after parts are installed according to the torque chart given. Unless otherwise stated, all hardware is Grade 5. The following assembly steps are given to minimize the need for adjustment after assembly. Remember that **LEFT and RIGHT** are determined by standing at the rear of the cutter and facing it.

WARNING

It is strongly recommended that deflector shields or chain shielding be installed. A rotary cutter without deflector shields can discharge large objects at high speeds which could seriously injure bystanders or the operator.

Deflector Shields or Chain Shielding

1) Install shield to front of cutter using 3/8" x 1-1/2" carriage bolts, flat washers, lock washer, and hex nuts. Tighten nuts after all hardware is installed.

A-Frame and Braces (Refer to Fig. 3)

On some cutters, the A-frame is shipped already bolted to the deck while on others it is wired to the stump jumper. If the A-frame is already bolted to the deck, proceed to step 2.

1) Secure A-frame to inside of deck uprights using 5/8" x 2" bolt with lockwashers and hex nuts. Be sure A-frame legs are on the inside of the deck uprights. Stand A-frame in vertical position and tighten hardware so A-frame stands freely.

2) Remove hardware from brace bundle. Bolt braces to deck lugs using 5/8" x 2" bolt, lock washer and hex nut.

3) Attach top end of brace to A-frame bars, spacer tube, and swinging link with 5/8" x 5-1/2" bolt, lockwasher and hex nut.

4) Check and tighten all hardware.

Installing Drive Line

Shearbolt Models:

IMPORTANT

Use only a Grade 2 bolt on drive line. Use of a higher grade bolt may cause serious damage to the cutter. Use of a bolt other than Grade 2 for shearbolt applications voids the manufacturer warranty.

1) Remove snap ring and shearbolt from input shaft of gearbox.

2) Install drive line on gearbox shaft.

3) Replace snap ring. The snap ring will keep the drive line attached to the gearbox if the shearbolt is sheared.

4) Install shearbolt Grade 2 -- 1/2" x 3-1/2" bolt through driveline yoke and gearbox shaft. Secure with 1/2" locknut.

5) Attach shield retaining chain included with drive line to shield and A--frame. The chain keeps the driveline shield from rotating when the PTO is engaged. Make sure the chain is installed properly at all times to prevent rotation of shield.

Slip Clutch Models:

1) Depress push button on yoke of driveline while sliding it onto the splined input shaft of the gearbox.

2) With the driveline fed onto the input shaft, release the push button. Slide the drive line further onto the shaft until the push button releases, locking the driveline onto the shaft.

3) Push and pull the driveline to insure it is locked in place.

4) Attach shield retaining chain included with drive line to shield and A--frame. The chain keeps the driveline shield from rotating when the PTO is engaged. Make sure the chain is installed properly at all times to prevent rotation of shield.

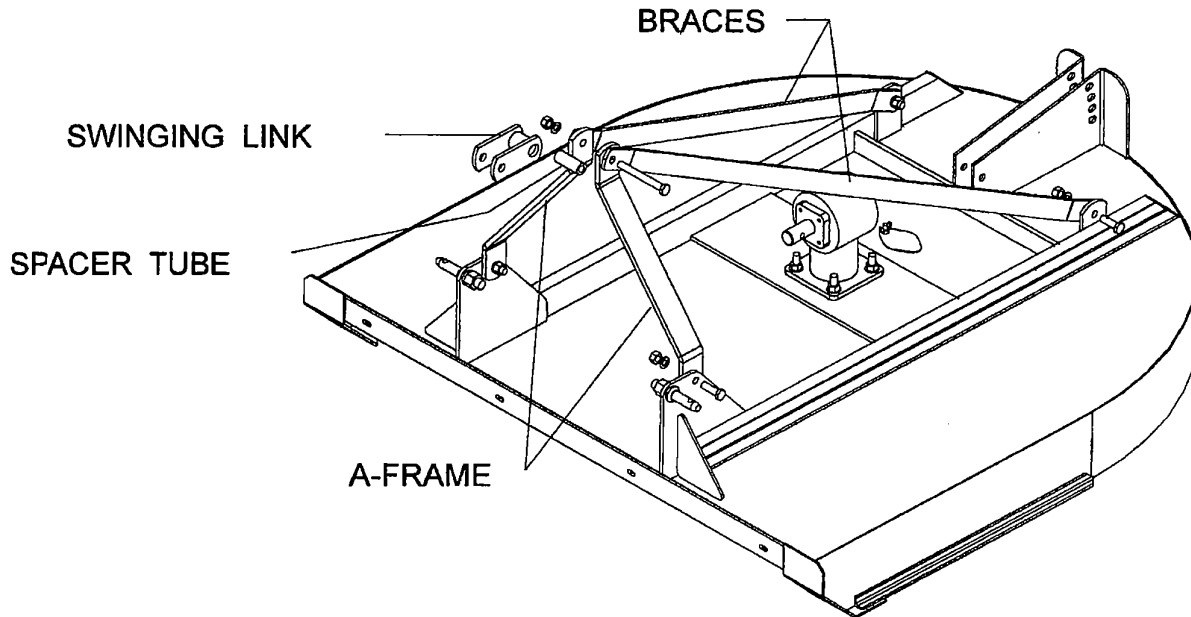


FIGURE 3 - A-FRAME AND BRACES

BEFORE OPERATION

- 1) Tighten all loose hardware using the torque chart. **SEE ASSEMBLY.** Replace any missing hardware. On new machines, all hardware must be rechecked after first few hours of operation.
- 2) Replace any bent or broken parts.
- 3) Perform lubrication on implement as recommended. **SEE MAINTENANCE.**
- 4) Refer to your Tractor's Owner's Manual for recommended adjustments and weight distribution.
- 5) Check the cutter's gearbox oil level, unscrew pipe plug on side. Oil should run out. Add oil using SAE 90EP gear oil in top hole as required. **DO NOT** overfill.
- 6) Check gearbox mount bolts to see that they are tight.
- 7) Check all shields and make sure they are in place.
- 8) Check blades for signs of wear or damage. Sharpen dull blades and replace bent or broken blades. **SEE BLADE REPLACEMENT.**
- 9) Read the **SAFETY** section of this manual to be sure of all precautions.

ATTACHING

- 1) Back tractor to align three point hitch.

▲ WARNING

Be sure bystanders are clear. Do not stand between implement and tractor. Shut off tractor and engage parking brake prior to dismounting.

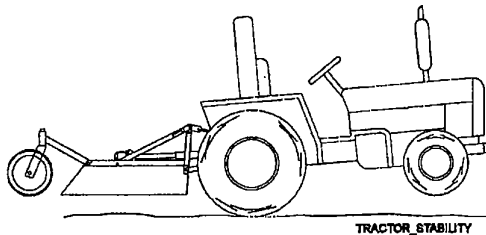
- 2) Attach tractor lower link arms to cutter. Secure with click pins.
- 3) Attach top link between tractor and cutter. Secure with click pins.
- 4) Attach drive line to tractor by pushing in on push button and sliding the yoke onto the tractor's PTO shaft. Make sure the push button releases and locks the drive line in place.
- 5) Attach shield retaining chain included with driveline to shield and A-frame. The chain keeps the driveline shield from rotating when the PTO is engaged. Make sure the chain is installed properly at all times to prevent rotation of shield.

This cutter is designed for brush up to 1" (25.4mm) diameter. DO NOT use in brush larger than 1" (25.4mm) diameter.

TRACTOR STABILITY

WARNING

A minimum 20% of combined tractor and cutter weight must be on tractor front wheels with attachment in transport position. Without this weight, tractor could tip over causing personal injury or death. See your tractor operators manual for information regarding adding weights.



OPERATION

- 1) With tractor at a slow idle, engage the PTO slowly and let the cutter run for several seconds.
- 2) Gradually increase throttle speed until operating speed is obtained. Listen for unusual noises or vibration. Shut the tractor off immediately if excessive noise or vibration occurs. Allow all moving parts to come to a complete stop and investigate cause.
- 3) A new gearbox will sound noisy in the first few hours of operation until the gears mesh.
- 4) Get to know the feel of your new cutter on familiar ground that is free of obstacles.

ADJUSTMENTS

WARNING

Do not make any adjustments while cutter is in motion or when PTO is engaged.

Side to Side Leveling:

- 1) Your cutter should be level from side to side. With the cutter and tractor on level ground, use the tractor's link arm crank to adjust the lower link arm up or down as needed to level cutter.

Front to Rear Leveling:

- 1) Adjust rear tailwheel to desired cutting height. Using the tractor's three point lift, position the front of cutter 1" (25.4mm) lower than rear. At this slight angle, the cutter

does not require as much power. Fuel efficiency and cutter performance are thereby improved.

- 2) Adjust the top link in or out so the top swinging link is nearly below A-frame upper pivot.
- 3) Check the tailwheel to see that it contacts the ground. If it does not, reposition the rear tailwheel arm bolt to lower the tailwheel as needed to contact the ground.
- 4) If the tailwheel is too low causing too much front to rear tilt, adjust the tailwheel up by moving the rear bolt to the next hole. Readjust the top link to properly position deck with slight tilt forward.

Drive Line Interference:

- 1) Start the tractor engine and slowly lift cutter until the drive line is at its shortest position. At this point, the two telescoping shafts should lack two inches (50.8mm) from touching.
- 2) Now lower the cutter until the drive line is extended to its longest position. At this point, the two shafts should engage at least six inches (152mm).
- 3) Be sure the drive line clears the cutter deck when the cutter is raised. If it does not, readjust the top link on the hitch to correct the problem or set lift quadrant stop on tractor lever. The tailwheel may then have to be adjusted so the cutter can be properly positioned for operation.

TRANSPORTING

- 1) Disengage PTO and allow all moving parts to completely stop.
- 2) Raise cutter to highest position for transport.
- 3) Transport at no more than 20 MPH (30KPH).
- 4) Use care when transporting on rough terrain.
- 5) When traveling on public roads, always have a slow moving vehicle (SMV) emblem mounted to the tractor such that it is visible from the rear.
- 6) Avoid travel on public roads at night. Check local laws governing lighting requirements in addition to SMV emblem.

MAINTENANCE

WARNING

Do not perform any maintenance while tractor is running or when cutter is in motion.

Gearbox:

1) Check oil level by unscrewing side plug in gearbox about every 40 hours of use. Fill to side port using only SAE 90EP gear oil.

2) Check mount bolts before each use to be sure they are tight.

Blade Inspection and Replacement:

Inspect blades before each use. Sharpen worn blades and replace in pairs if blades are damaged. To replace blades, follow the steps below:

1) **Support cutter from below on all sides. DO NOT** rely on tractor's hydraulic lift alone to support cutter. Be sure cutter is stable before proceeding.

2) Remove each blade nut and lockwasher through the hole in the cutter deck behind gearbox.

3) Using a punch, drive the blade bolts out of the blade holder.

4) Insert blade bolts in new blades so that flare in blade tip is up. Insert bolt with blade onto blade holder by aligning notch in hole with shoulder on bolt.

5) Replace lockwashers and nuts on bolts and tighten. Torque to 650 ft-lbs (881 N.m).

Shearbolt Replacement

On cutters with a shearbolt driveline, replace broken shearbolts with a Grade 2 -- 1/2" x 3-1/2" shearbolt and locknut. Replacement of a broken shearbolt with a bolt higher than Grade 2 may cause serious damage to the cutter. Use of a bolt higher than Grade 2 as a shearbolt in the driveline voids the manufacturer warranty.

Slip Clutch

Operational Check:

On a new unit or one that has been stored between seasons, perform the following check:

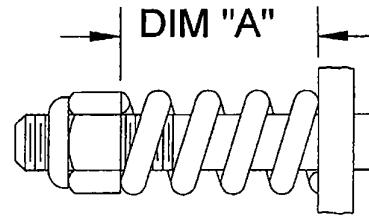
1) Loosen all spring retaining nuts until springs can be turned with fingers.

2) With tractor at idle speed, engage PTO for 2--3 seconds. Clutch should slip without turning blades. If not, contact your dealer.

3) Retighten nuts to compress springs according to diagram. Dim "A" = 1.28" (32.5mm) for Corner clutches.

IMPORTANT

Failure to retighten nuts can cause damage to implement and/or tractor due to improper slip clutch torque setting.



Adjustment:

The slip clutch is designed to slip when blades encounter heavy brush or solid permanent objects. If this is not occurring or if the clutch slips too much (i.e. the clutch begins to smoke), adjustment should be made as follows.

1) Check to be sure that all springs are compressed to the correct length. Adjust spring length by tightening or loosening retaining nut.

2) If clutch still performs improperly, tighten or loosen all nuts in 1/32" (0.81 mm) increments until clutch performs properly.

3) If excessive adjustment is necessary, consult your dealer.

LUBRICATION SCHEDULE

Clean grease fittings before applying grease. Use multipurpose lithium base grease.

Before Each Use

Tailwheel -- Apply grease at arm fitting and hub fitting.

Driveline -- Lubricate universal joints at fittings and shield at fittings.

Every 8 Hours

Driveline -- Lubricate universal joints at fittings and shield at fittings.

Every 16 Hours

Driveline -- Lubricate push buttons with oil.

Disconnect driveline and separate sections. Apply a thin coat of grease to outside of male shaft. Reassemble driveline and install. Be sure drive line is locked in place and shield retaining chain is properly attached.

Gearboxes -- Use SAE EP90 Gear oil if needed.

STORAGE

1) Clean all debris from cutter deck and drive line.

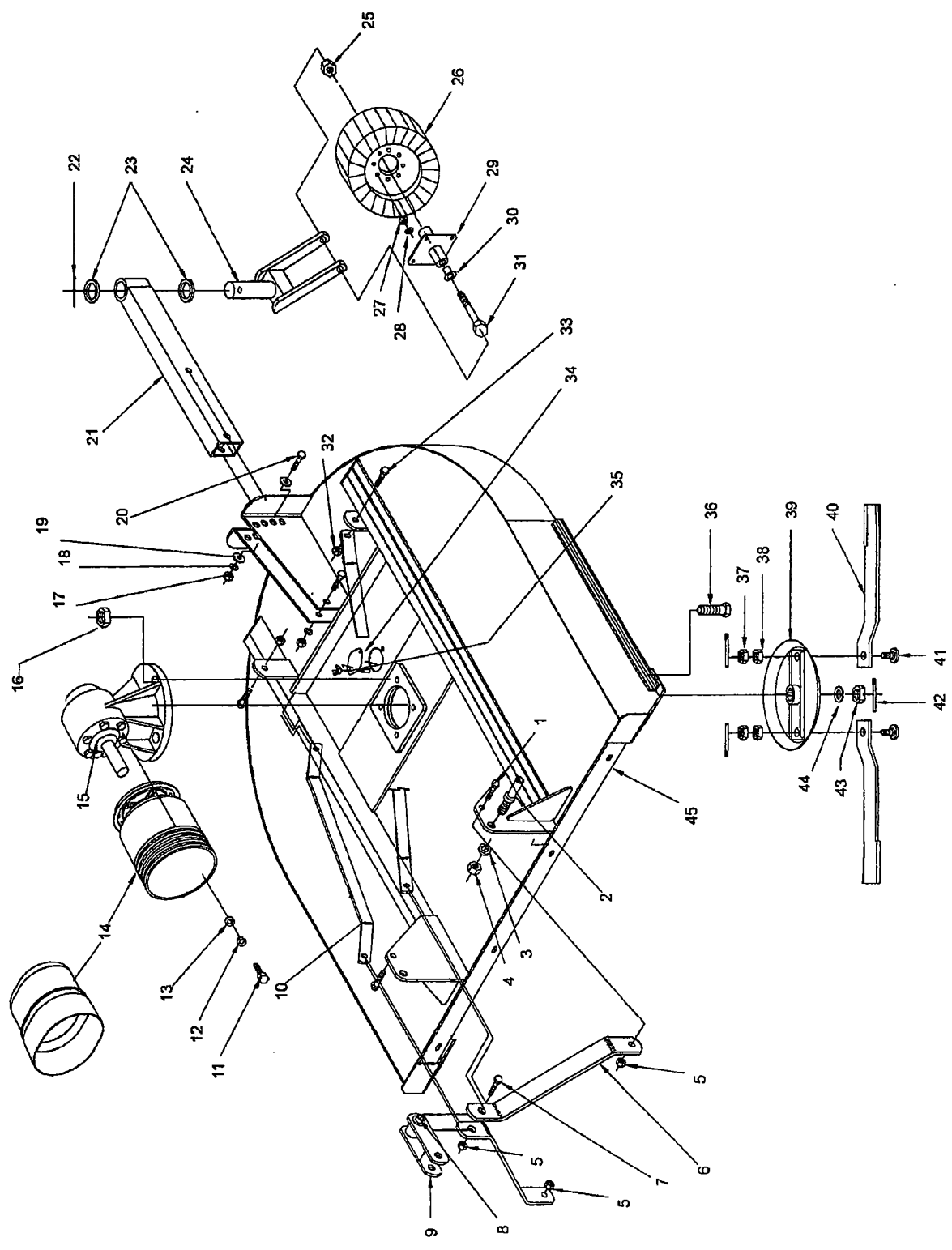
2) Store cutter on a level surface sheltered from the weather.

3) Lower cutter to ground for storage and block to prevent rolling.

- 4) Store cutter supported on blocks to allow air circulation beneath cutter.
- 5) Support tractor end of driveline to keep off the ground.
- 6) Keep playing children and bystanders away from storage area.

TABLE OF CONTENTS

DECK COMPONENTS	12 - 14
SAFETY SHIELDING.....	15
OMNI GEARBOX COMPONENTS	16 - 17
COMER GEARBOX COMPONENTS	18 - 19
EURO CARDAN SHEAR BOLT PTO COMPONENTS	20 - 21
EURO CARDAN SLIP CLUTCH PTO COMPONENTS.....	22 - 23
COMER PTO COMPONENTS	24
EURO CARDANSLIP CLUTCH COMPONENTS	25
COMER SLIP CLUTCH COMPONENTS.....	26
FIELD INSTALLED CLUTCH.....	27



DECK COMPONENTS
(Continued on next page)

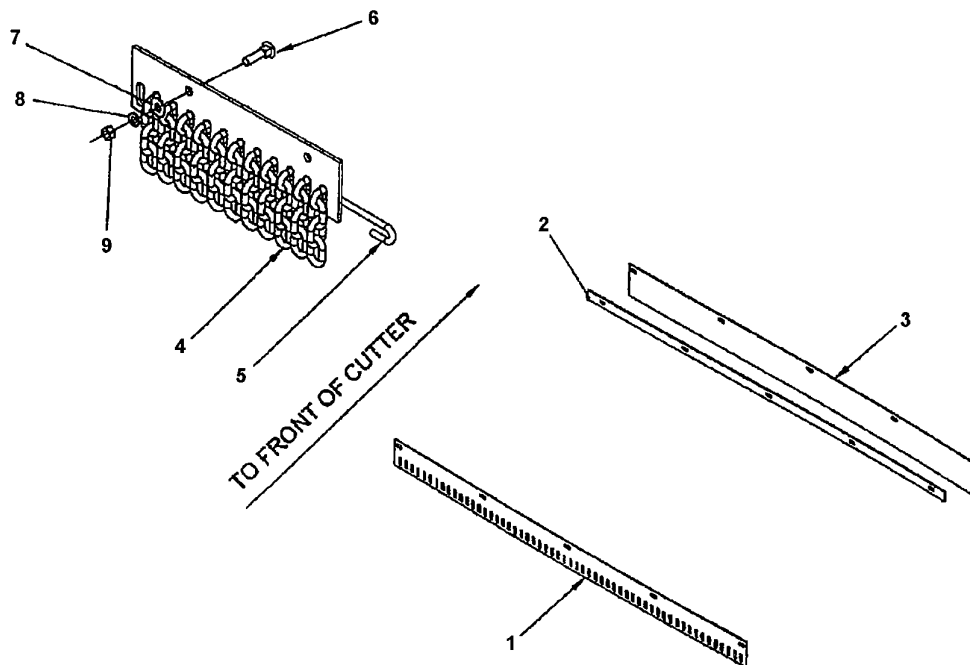
Item	Part #	Description	Qty
1	303676	HHCS 5/8" X 2" Gr.5	2
2	203266	LINK PIN W/HARDWARE (Cat.I)	2
3	303958	WASHER/LOCK 7/8"	2
4	304082	NUT/HEX 7/8" NF	2
5	304021	NUT HEX LOCK 5/8" NC	3
6	815456	A-FRAME	2
7	303685	HHCS 5/8" X 5-1/2" Gr.5	1
8	505772	SPACER	1
9	505771	SWINGING LINK	1
10	813362	A-FRAME BRACE – For 4 foot cutter	2
	814674	A-FRAME BRACE – For 5 & 6 foot cutter	2
11	305202	HHCS M8 X 16	4
12	303952	WASHER/LOCK 5/16"	4
13	303968	WASHER/FLAT 5/16"	4
14	814595 or	SHIELD/GEARBOX W/METAL ADAPTER SHIELD/GEARBOX ALL PLASTIC	1
15	607902	GEARBOX/SHEARBOLT – For 4 foot cutter	---
	607903	GEARBOX/SLIPCLUTCH – For 4 foot cutter	---
	607900	GEARBOX/SHEARBOLT – For 5 & 6 foot cutter	---
	607901	GEARBOX/SLIPCLUTCH – For 5 & 6 foot cutter	---
16	304073	NUT/HEX FLANGED 5/8" NC – SERRATED	4
17	304008	NUT/HEX 5/8" NC	2
18	303956	WASHER/LOCK 5/8"	2
19	303972	WASHER/FLAT 5/8"	2
20	303681	HHCS 5/8" X 3-1/2" Gr.5	2
21	500642	TAILWHEEL ARM	1
	304194	GREASE FITTING	1
22	304260	PIN/ROLL 3/8" X 2	1
23	303977	WASHER/FLAT 1-1/4" SAE	2
24	505245	TAILWHEEL FORK	1
25	304024	NUT/HEX LOCK 1" NC	1
26	505138	LAMINATED TAILWHEEL 4X8 (16" Diameter)	1
27	303955	WASHER/LOCK 1/2"	4
28	304083	NUT/HEX 1/2" NF	4

DECK COMPONENTS
(Continued from previous page)

Item	Part #	Description	Qty
30	505140	METAL BUSHING FOR HUB	2
31	303766	HHCS 1" X 7-1/2" NC Gr.5	1
32	304021	NUT/HEX LOCK 5/8" NC	2
33	303676	HHCS 5/8" X 2" NC Gr.5	2
34	811650	ACCESS HOLE COVER	1
35	304214	WING NUT 3/8"	1
36	303678	HHCS 5/8" X 2-1/2" NC Gr.5	4
37	304765	CASTLE NUT 1-1/8" NF Gr.8	2
	304111	COTTER PIN	2
38	303960	WASHER/LOCK 1-1/8" Gr.8	2
39	812315	STUMP JUMPER	1
40	810068	BLADE for 4-foot cutter	2
	810069	BLADE for 5-foot cutter	2
	810071	BLADE for 6-foot cutter	2
* 41	50514501	BLADE BOLT KIT	2
42	505129	COTTER PIN B5 X 50	1
43	809318	CASTLE NUT	1
44	809288	WASHER/FLAT	1
45	815490	DECK WELDMENT for 4-foot cutter	1
	815440	DECK WELDMENT for 5-foot cutter	1
	815470	DECK WELDMENT for 6-foot cutter	1

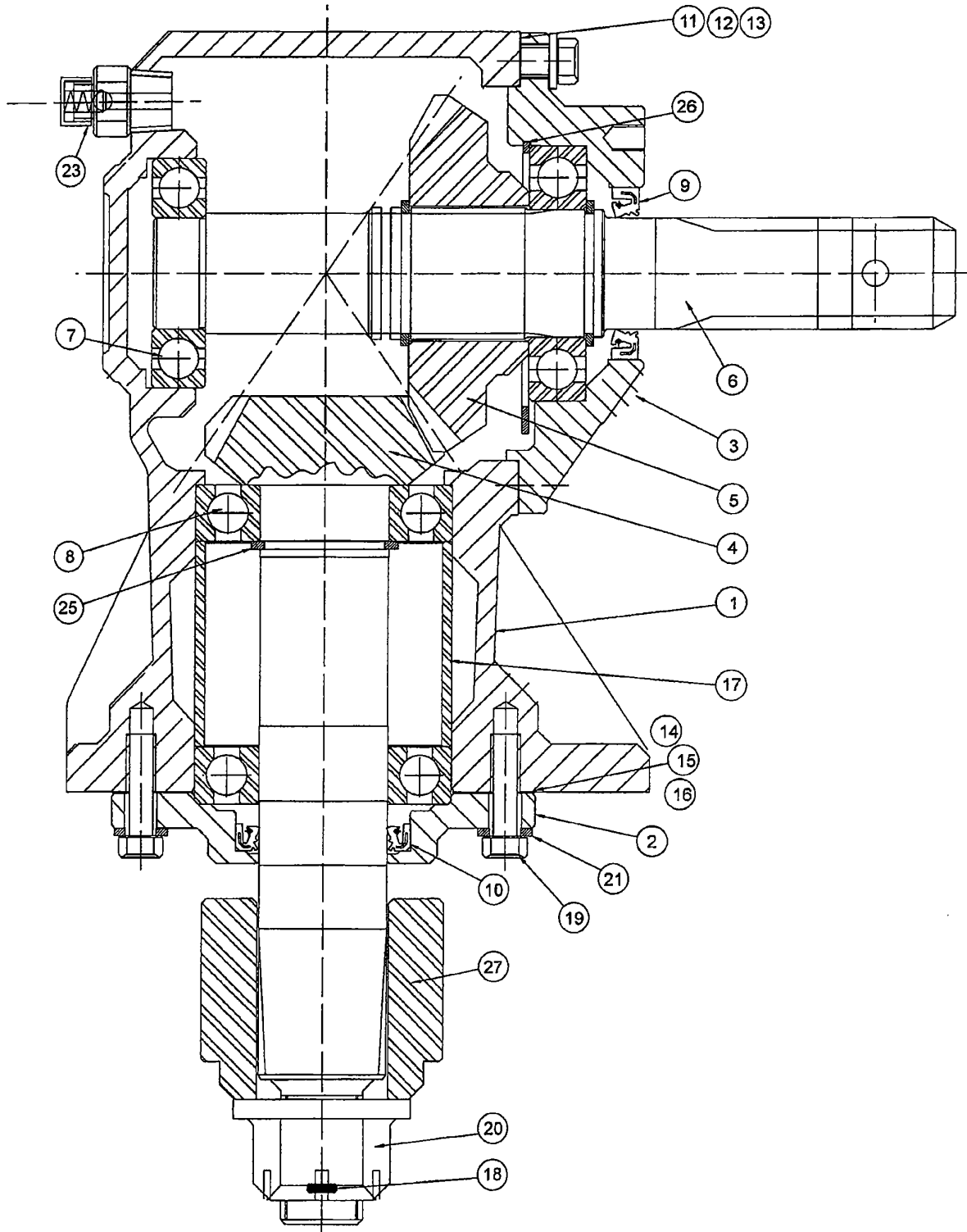
*BLADE BOLT KIT COMES W/NUT, WASHER, COTTER PIN

SAFETY SHIELDING



Item	Part #	Description	Qty
1	815499	FRONT CHAIN PLATE for 4-foot cutter (Optional)	1
	811754	FRONT CHAIN PLATE for 5-foot cutter (Optional)	1
	811759	FRONT CHAIN PLATE for 6-foot cutter (Optional)	1
2	815530	HOLDDOWN/BELT for 4-foot cutter	1
	815533	HOLDDOWN/BELT for 5-foot cutter	1
	815536	HOLDDOWN/BELT for 6-foot cutter	1
3	815529	FRONT BELT for 4-foot cutter (Optional)	1
	815532	FRONT BELT for 5-foot cutter (Optional)	1
	815535	FRONT BELT for 6-foot cutter (Optional)	1
4	805325	CHAIN SEGMENT 5/16" X 4-LINK	Varies
5	806727	CHAIN ROD for 4-foot cutter	1
	806728	CHAIN ROD for 5-foot cutter	1
	806731	CHAIN ROD for 6-foot cutter	1
6	303839	CARRIAGE BOLT 3/8" X 1-1/2"-NC Gr.5	Varies
7	303969	FLATWASHER 3/8"	Varies
8	303953	LOCKWASHER 3/8"	Varies
9	304005	HEX NUT 3/8"-NC	Varies
815557 Complete Chain Kit (4-Foot Cutter) 811758 Complete Chain Kit (5-Foot Cutter) 811761 Complete Chain Kit (6-Foot Cutter)			
815580 Complete Belt Kit (4-Foot Cutter) 815581 Complete Belt Kit (5-Foot Cutter) 815582 Complete Belt Kit (6-Foot Cutter)			

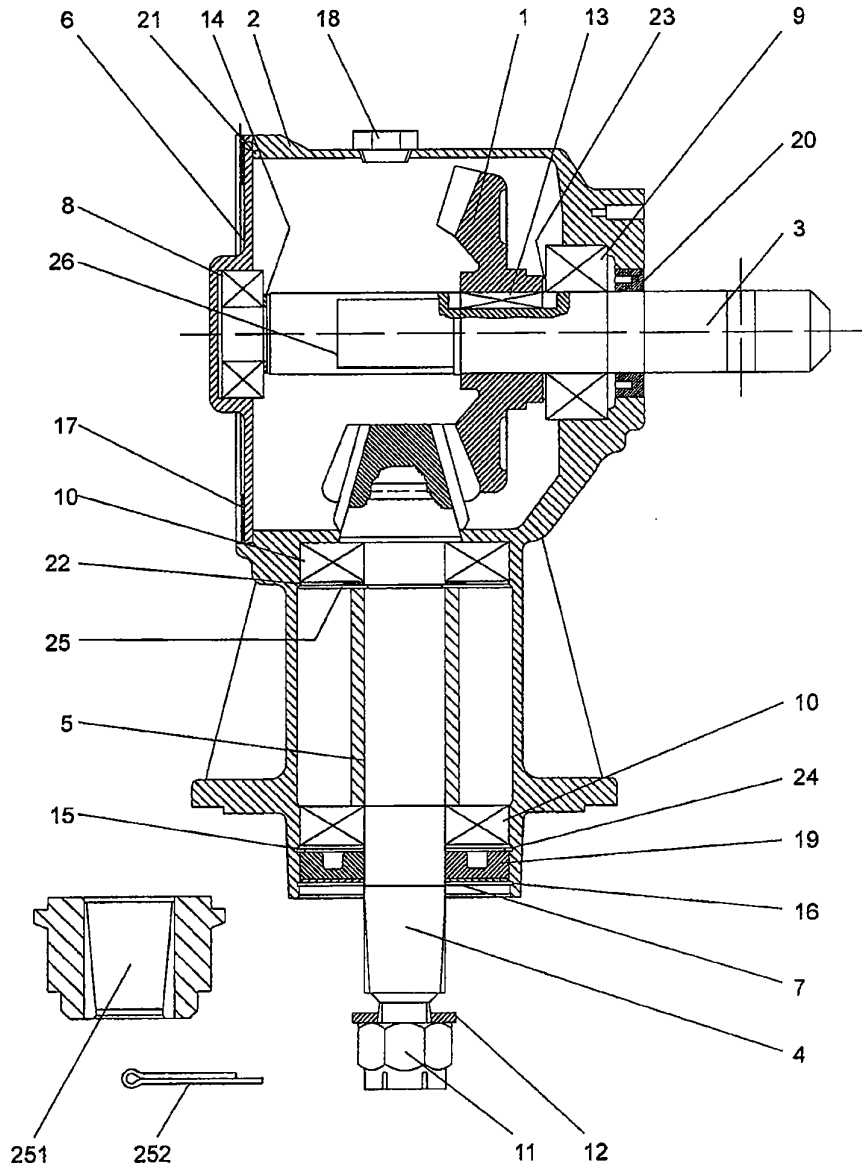
OMNI 30 - GEARBOX CROSS SECTION



OMNI 30 - GEARBOX COMPONENTS

Item	Part #	Description	Qty
1	607904	HSG/GEARBOX RC-30	1
2	607905	CAP/LOWER OUTPUT	1
3	607906	CAP/INPUT	1
4	607910	GEAR/OUTPUT PINION – 15 Tooth (For 4-foot cutter)	1
	607907	GEAR/OUTPUT PINION – 15 Tooth (For 5 & 6-foot)	1
5	607909	GEAR/INPUT – 29 Tooth (For 4-foot cutter)	1
	607908	GEAR/INPUT – 22 Tooth (For 5 & 6-foot)	1
6	607911	SHAFT/SMOOTH INPUT (For Shearbolt Cutters)	1
	607912	SHAFT/SPLINED INPUT (For Slipclutch Cutters)	1
6SB	303367	HHCS 1/2" X 3-1/2" Gr.2 Shearbolt	1
	304020	NUT/HEX LOCK 1/2" NC	1
	505146	SNAP RING (For Shearbolt Models ONLY!)	1
7	505112	BEARING/BALL (6207)	1
8	505123	BEARING/BALL (6208)	3
9	809271	SEAL/INPUT 54.13 X 34.93 X 11.12	1
10	809284	SEAL/OUTPUT 40 X 54 X 7	1
11	607913	GASKET/INPUT CAP – 0.40 MM	---
12	607914	GASKET/INPUT CAP – 0.15 MM	---
13	607915	GASKET/INPUT CAP – 0.10 MM	---
14	607916	GASKET/OUTPUT CAP – 0.40 MM	---
15	607917	GASKET/OUTPUT CAP – 0.15 MM	---
16	607918	GASKET/OUTPUT CAP – 0.10 MM	---
17	607919	SPACER/BRG SET	1
18	505129	COTTER PIN B5 X 50	1
19	303612	HHCS 3/8" X 1" NC Gr.5	10
20	809318	NUT/HEX SLOTTED 1"-14 UNF	1
21	303953	WASHER/LOCK 3/8"	10
22	813710	PLUG/PIPE SQUARE HEAD 1/8" – 27NPTF	1
23	607489	PLUG/PRESSURE RELIEF 1/2" – 14NPTF	1
24	-----		---
25	607920	RING/SNAP (EATON 916R)	3
26	607921	RING/RETAINING	1
27	-----	HUB/BLADE (Not available as service part)	---
	607902	COMPLETE GEARBOX – SHEARBOLT – (for 4-foot)	
	607903	COMPLETE GEARBOX – SLIPCLUTCH – (for 4-foot)	
	607900	COMPLETE GEARBOX – SHEARBOLT – (for 5 & 6-ft)	
	607901	COMPLETE GEARBOX – SLIPCLUTCH – (for 5 & 6-ft)	

COMER - GEARBOX CROSS SECTION

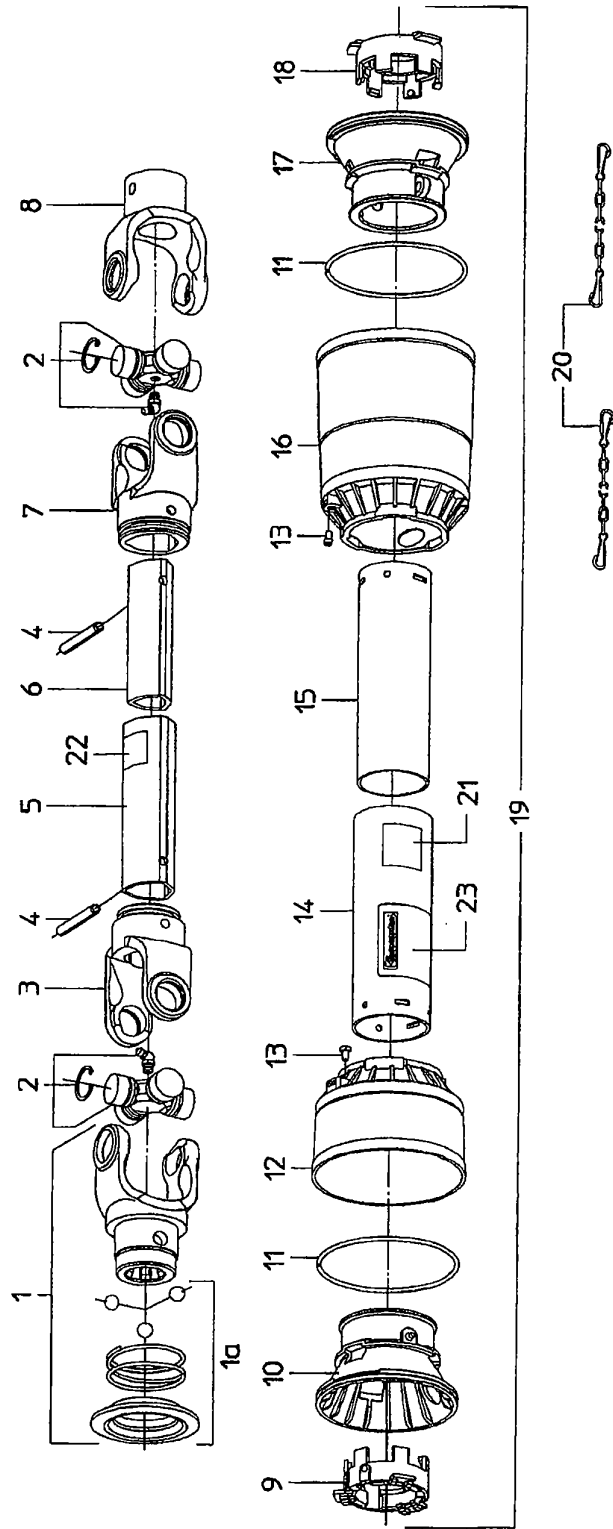


COMER IDENTIFIED BY CIRCULAR BACK & SNAP RING

COMER – GEARBOX COMPONENTS

Item	Part #	Description	Qty
1	505399	INPUT GEAR 22-Tooth – For 5 & 6-foot cutter	1
	505422	INPUT GEAR 23-Tooth – For 4-foot cutter	1
2	505400	HSG/GEARBOX	1
3	505401	SHAFT SMOOTH/INPUT – For Shearbolt cutter	1
	505421	SHAFT SPLINED/INPUT – For Slipclutch cutter	1
3SB	303367	HHCS 1/2" X 3-1/2" NC Gr.2 Shearbolt	1
	304020	NUT/HEX LOCK 1/2" NC	1
	505146	SNAP RING (For shearbolt models ONLY)	1
4	811244	PINION SHAFT 15-Tooth – For 5 & 6-foot cutter	1
	505423	PINION SHAFT 12-Tooth – For 4-foot cutter	1
5	811245	SPACER SLEEVE	1
6	505404	REAR COVER	1
7	505405	SHIELD WASHER	1
8	505406	BEARING (6205)	1
9	505112	BEARING (6207)	2
10	505123	BEARING (6208)	1
11	505128	CASTLE NUT M24 X 2	1
12	505119	WASHER M24 X 44 X 4	1
13	505411	KEY/RECT 10 X 8 X 30	1
14	505319	SHIM KIT	1
15	505413	SNAP RING 80 – UNI7437	1
16	505414	SNAP RING SB 81	1
17	505415	SNAP RING SB 125	1
18	505300	PIPE PLUG 3/8"	1
19	505417	OUTPUT DOUBLE LIP SEAL 40 X 80 X 12	1
20	505111	INPUT OIL SEAL 35 X 52 X 7	1
21	505419	O-RING OR-4462	1
22	**	COMES IN 505319 SHIM KIT	---
23	**	COMES IN 505319 SHIM KIT	---
24	505319	SHIM KIT	1
25	813642	SNAP RING 40 – UNI7436	1
26	N/A	SERIAL PLATE	---
251	N/A	BUSH-SPUD	---
252	505129	PIN/COTTER B5 X 50	1
	810331	COMPLETE GEARBOX – SHEARBOLT – (For 4-foot)	
	815389	COMPLETE GEARBOX – SLIPCLUTCH – (For 5-foot)	
	808074	COMPLETE GEARBOX – SHEARBOLT – (For 5 & 6-ft)	
	809348	COMPLETE GEARBOX – SLIPCLUTCH – (For 5 & 6-ft)	

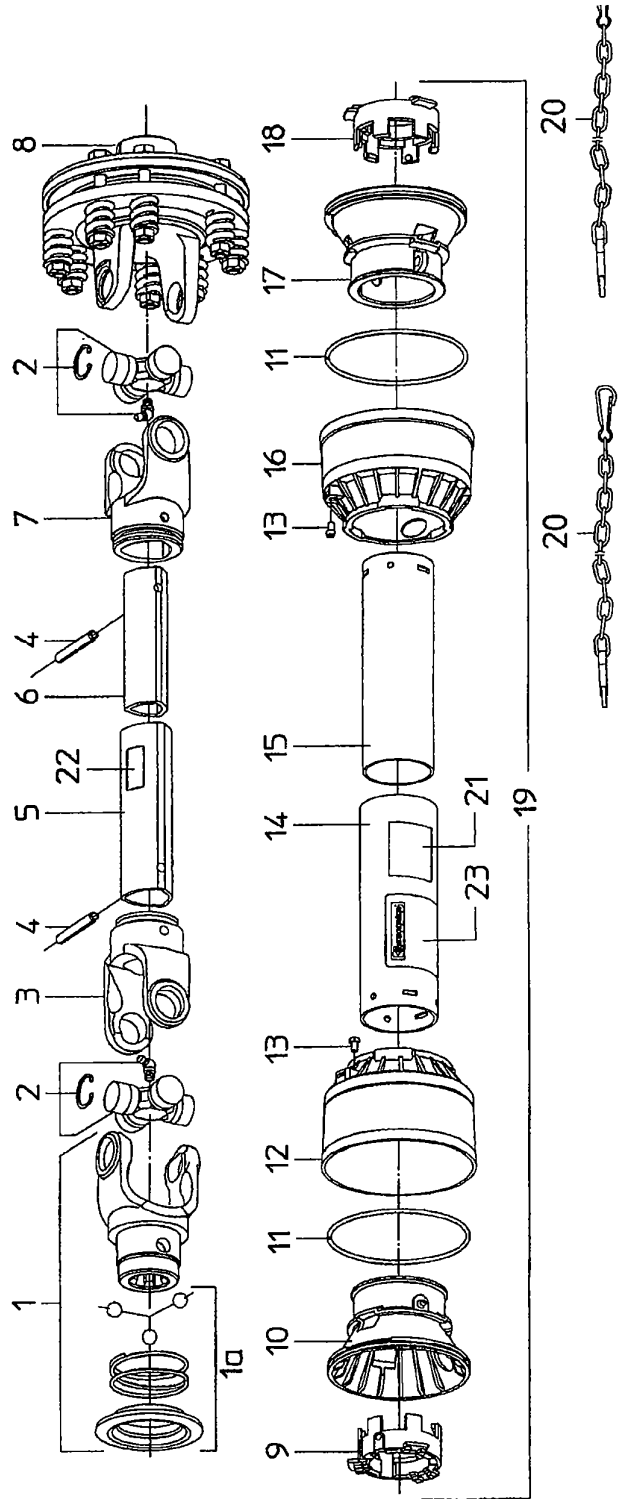
EURO CARDAN SHEAR BOLT PTO COMPONENTS



EUROCARDAN – SHEARBOLT DRIVELINE COMPONENTS

Item	Part #	Description	CUTTER SIZE	Qty
1	505059	TRACTOR YOKE W/LOCK COLLAR	ALL	1
1A	699526	KIT/TRACTOR LOCK COLLAR	ALL	1
2	505062	KIT/CROSS & BRG – 40 Series	ALL	2
3	N/A			---
4	N/A			---
5	N/A			---
6	N/A			---
7	N/A			---
8	505071	IMPLEMENT YOKE – SHEARBOLT	ALL	1
8A	303367	HHCS 1/2" X 3-1/2" Gr.2 Shearbolt	ALL	1
	304020	NUT/HEX LOCK 1/2" NC	ALL	1
9	699561	BRG/SHLD OUTER – 40	ALL	1
10	699547	CONE/RIGID – OUTER TUBE	ALL	1
11	699569	RING/CONE STIFFINER	ALL	2
12	699552	CONE/STANDARD SOFT	ALL	1
13	699567	PIN/PLASTIC BEARING RETAINER	ALL	2
14	N/A			---
15	N/A			---
16	699544	CONE/RIGID – INNER TUBE	ALL	1
17	699556	BRG/SHLD INNER – 40	ALL	1
18	699585	SHIELD/COMPLETE – Both Halves	4-ft SB	1
	699586	SHIELD/COMPLETE – Both Halves	5 & 6-ft SB	1
19	505103	ANTI ROTATION CHAIN	ALL	2
20	N/A			---
21	N/A			---
22	N/A			---
23	699622	OUTER HALF SHAFT W/SHIELD	4-ft SB	1
	699618	OUTER HALF SHAFT W/SHIELD	5 & 6-ft SB	1
24	699605	SB INNER HALF SHAFT W/SHIELD	4-ft SB	1
	699602	SB INNER HALF SHAFT W/SHIELD	5 & 6-ft SB	1
	814592	SHEARBOLT DRIVELINE COMPLETE	4-ft SB	
	814593	SHEARBOLT DRIVELINE COMPLETE	5 & 6-ft SB	

EURO CARDAN SLIP CLUTCH PTO COMPONENTS

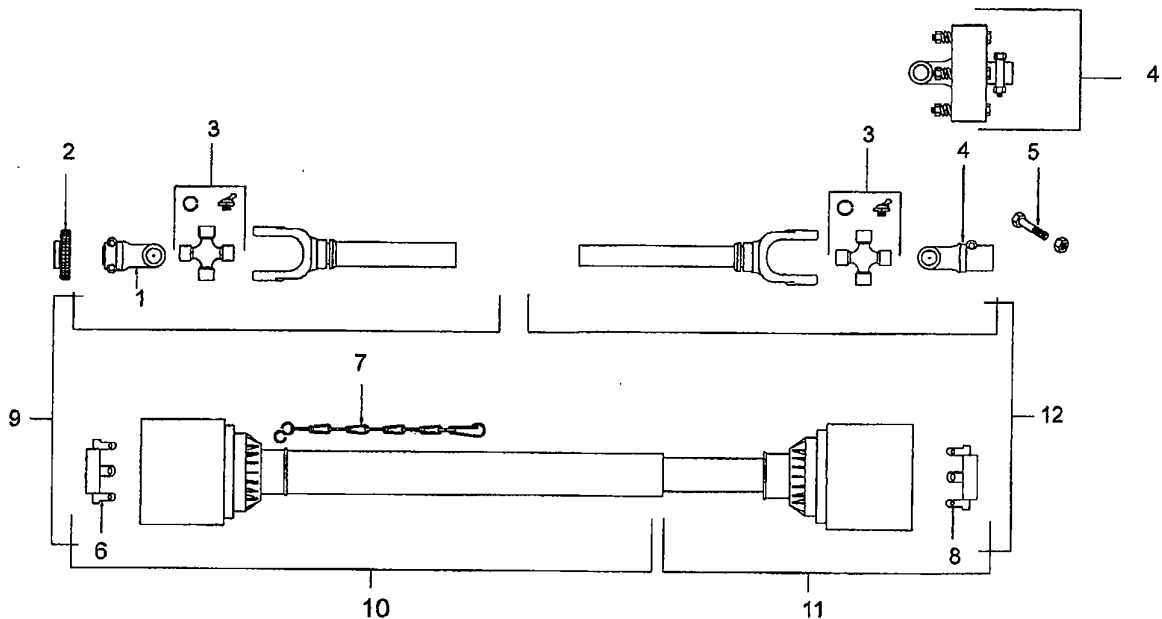


EUROCARDAN – SLIP CLUTCH DRIVELINE COMPONENTS

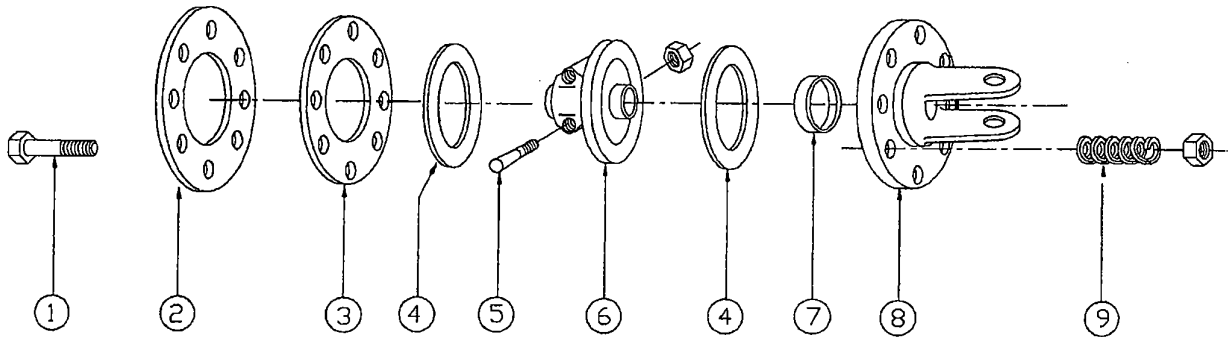
Item	Part #	Description	CUTTER SIZE	Qty
1	505059	TRACTOR YOKE W/LOCK COLLAR	ALL	1
1A	699526	KIT/TRACTOR LOCK COLLAR	ALL	1
2	505062	KIT/CROSS & BRG – 40 Series	ALL	2
3	N/A			---
4	N/A			---
5	N/A			---
6	N/A			---
7	N/A			---
8	699500	SLIP CLUTCH ASSY	ALL	1
9	699561	BRG/SHLD OUTER – 40	ALL	1
10	699547	CONE/RIGID – OUTER TUBE	ALL	1
11	699569	RING/CONE STIFFENER	ALL	2
12	699552	CONE/STANDARD SOFT	ALL	1
13	699567	PIN/PLASTIC BEARING RETAINER	ALL	2
14	N/A			---
15	N/A			---
16	699549	CONE/SHORT – SOFT	ALL	1
17	699544	CONE/RIGID – INNER TUBE	ALL	1
18	699556	BRG/SHLD INNER – 40	ALL	1
19	699577	SHIELD/COMPLETE BOTH HALVES	4-ft SC	1
	699578	SHIELD/COMPLETE BOTH HALVES	5 & 6-ft SC	1
20	505103	ANTI ROTATION CHAIN	ALL	2
21	N/A			---
22	N/A			---
23	N/A			---
24	699621	OUTER HALF SHAFT W/SHIELD	4-ft SC	1
	699620	OUTER HALF SHAFT W/SHIELD	5 & 6-ft SC	1
25	699604	INNER HALF SHAFT W/SHIELD & SC	4-ft SC	1
	699616	INNER HALF SHAFT W/SHIELD & SC	5 & 6-ft SC	1
	815436	SLIP CLUTCH DRIVELINE COMPLETE	4-ft SB	
	810323	SLIP CLUTCH DRIVELINE COMPLETE	5 & 6-ft SB	

COMER – DRIVELINE COMPONENTS

Item	Part #	Description	Cutter Size	Qty
1	505059	TRACTOR YOKE W/LOCK COLLAR	ALL	1
2	813831	KIT/TRACTOR LOCK COLLAR	ALL	1
3	505062	CROSS & BRG. KIT – 40 Series	ALL	1
	505061	GREASE FITTING	ALL	1
4	505071	IMPLEMENT YOKE – (Shearbolt)	ALL S.B.	1
	699500	COMPLETE SLIPCLUTCH	ALL S.C.	1
5	303367	HHCS 1/2" X 3-1/2" Gr.2 (Shearbolt)	ALL S.B.	1
	304020	NUT/HEX LOCK 1/2" NC	ALL S.B.	1
6	505433	OUTER SHIELD LOCK COLLAR	ALL	1
7	505103	ANTI ROTATION CHAIN	ALL	2
8	505434	INNER SHIELD LOCK COLLAR	ALL	1
9	505097	OUTER HALF SHAFT W/SHIELD	4-ft	1
	505099	OUTER HALF SHAFT W/SHIELD	5 – 6 ft	1
10	505424	OUTER SHIELD HALF	4-ft	1
	505426	OUTER SHIELD HALF	5 – 6 ft	1
11	505427	INNER SHIELD HALF (For Shearbolt)	4-ft S.B.	1
	505429	INNER SHIELD HALF (For Shearbolt)	5 – 6 ft S.B.	1
11A	815437	INNER SHIELD HALF (For Slipclutch)	4-ft S.C.	1
	505431	INNER SHIELD HALF (For Slipclutch)	5 – 6 ft S.C.	1
12	---	BOTH S.B. & S.C. INNER SHAFTS (Must replace by Complete Driveline)	ALL	---
	814592	COMPLETE SHEARBOLT DRIVELINE	4-ft S.B.	
	814593	COMPLETE SHEARBOLT DRIVELINE	5 – 6 ft S.B.	
	815436	COMPLETE SLIPCLUTCH DRIVELINE	4-ft S.C.	
	810323	COMPLETE SLIPCLUTCH DRIVELINE	5 – 6 ft S.C.	



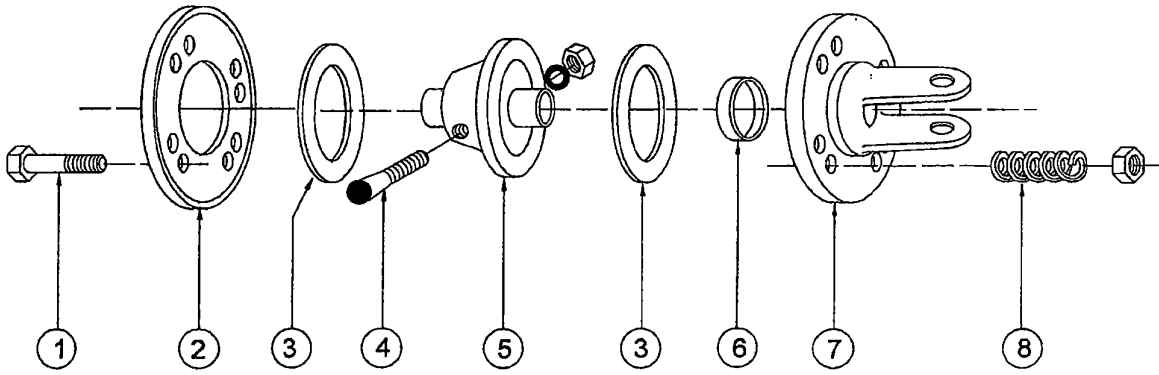
EURO CARDAN SLIP CLUTCH COMPONENTS



Item	Part #	Description	Qty
1	505455	HHCS M10 X 80 & NUT	8
2	699515	PRESSURE PLATE	1
3	699513	INNER PLATE – FD1	1
4	699519	CLUTCH LINING – 140 MM DIA – FD1	2
5	699530	KIT/LOCK BOLT M12 1-3/8"	1
6	699505	CLUTCH/HUB WITH FLANGE	1
7	699592	SLEEVE	1
8	699507	FLANGED YOKE	1
9	699517	SPRING	1
	699500	COMPLETE SLIPCLUTCH	

COMER – SLIPCLUTCH COMPONENTS

Item	Part #	Description	Qty
1	505455	HHCS M10 X 80 & NUT	8
2	806597	PRESSURE PLATE	1
3	505458	CLUTCH LINING	2
4	813889	TAPERED PIN KIT	1
5	505460	CLUTCH HUB	1
6	505461	SLEEVE	1
7	505462	FLANGED YOKE	1
8	807651	SPRING	1
	505454	COMPLETE CLUTCH	



FIELD INSTALLED – SLIPCLUTCH COMPONENTS

Item	Part #	Description	Qty
1	505356	HHCS M10 X 86 & NUT	8
2	505357	OUTER PLATE	1
3	505358	INNER PLATE	1
4	699519	CLUTCH LINING	2
5	810078	SMOOTH HUB	1
6	505221	SLEEVE	1
7	505364	SPRING	8
8	505360	BOLT W/NUT	2
	809935	COMPLETE CLUTCH	

